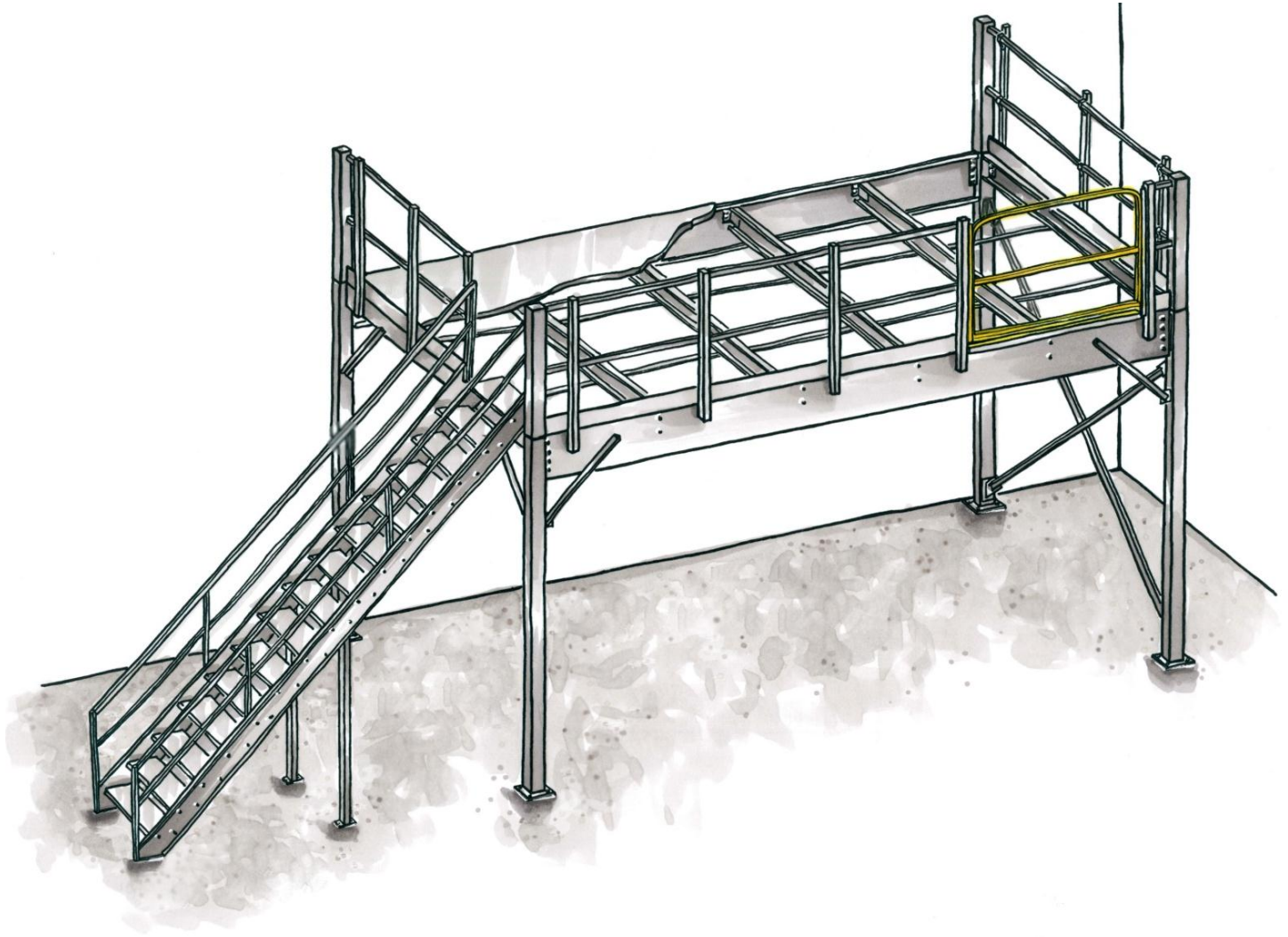


INSTALLATION MANUAL

For the most current release of this manual,
please visit our website at cogan.com

V.2013.1



Product	Mezzanine
Sub-product	Installation tips

- Quick and easy tips before starting the assembly and installation of a Cogan mezzanine.
- Tools required and preparation of the concrete surface.
- Always refer to the installation drawings and specific installation instructions included with your project.



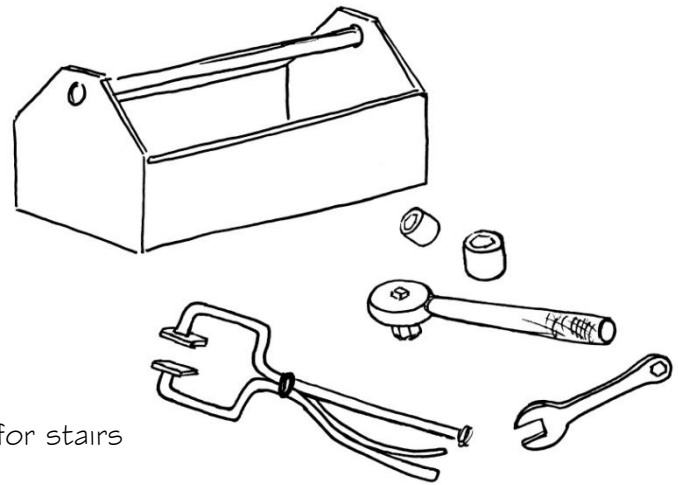
A Tradition of Quality Since 1901

cogan.com

GENERAL INSTALLATION DETAILS

TOOLS REQUIRED FOR INSTALLATION

- Measuring tape
- Chalk line
- 4 FT Level (preferably magnetic)
- Hammer drill with 5/8" and 3/8" drill bit for stairs
- 1 1/16" Spinner wrench or 3/4" taper pin
- 1 5/16" Wrench or sockets (anchor bolts)
- 1/2" Wrench and sockets (open steel planking)
- 1 1/16" Wrench and sockets (structure)
- 9/16" Wrench and sockets (stairs)
- Small grinder or reciprocating saw (cut out in steel deck...)
- Grating hook (bar grating)
- Electric sheet metal shears
- Circular saw (wood overlay)
- 3/8" Reversible drill and 3/8" hex head bit
- #2 Robertson bit (flooring and gates)
- 1/2" Hi-impact wrench
- 1/4" Rivet gun (diamond plate flooring)
- Miscellaneous extensions
- Locking clamps
- Hammers and sledgehammers
- Non-shrink grout (when leveling columns)
- Ladders and scaffolding
- Forklift truck



SAMPLE APPROVAL DRAWING

IMPORTANT NOTE
THE CLIENT AND/OR OWNER SHALL BE RESPONSIBLE FOR ALL QUANTITIES AND DIMENSIONS INCLUDING THE VERIFICATION OF, AND COORDINATION WITH FIELD CONDITIONS. THE CLIENT AND/OR OWNER SHALL VERIFY ALL CRITICAL DIMENSIONS AND CONDITIONS OF EXISTING CONSTRUCTION THAT RELATE TO THIS MEZZANINE AND STAIRS. THE CLIENT AND/OR OWNER MUST BE NOTIFIED IN WRITING OF ANY ELEMENTS FOUND TO BE INCONSISTENT OR NOT COMPATIBLE WITH THE ORIGINAL DRAWINGS.

THE CLIENT AND/OR OWNER MUST SUBMIT SIGNED (APPROVED) DRAWINGS PRIOR TO THE START OF THE MEZZANINE AND STAIRS CONSTRUCTION.

THE CLIENT AND/OR OWNER SHALL BE RESPONSIBLE FOR THE BUILDING CLASSIFICATION ON ALL CONSTRUCTION PERMITS AND FOR THE LATEST EDITION OF THE STATE BUILDING CODE (INCLUDING ANY REVISIONS OR ADDENDAS) AND/OR ANY OTHER APPLICABLE CODES HAVING JURISDICTION.

COGAN RESERVES THE RIGHT TO ADJUST COLUMN SIZES AFTER APPROVAL STAGE TO MEET THE REQUIRED NEEDS AS FINAL CALCULATIONS WILL BE EXECUTED BEFORE THE PROJECT ENTERS PRODUCTION.

GENERAL NOTES
(PLEASE CHECK OFF BOXES TO CONFIRM EACH NOTE IS CORRECT)

- CAPACITY: 125 LBS./SQ.FT/ U.D.L.
- CLEAR HEIGHT: 8' 0"
- TOP OF STRUCTURE: 9' 4"
- TOP OF FLOOR: 9' 6 1/4"
- TYPE OF FLOOR: 20ga CORRUGATED STEEL DECK (WHITE UNDERSIDE) WITH 3/4" COMPOSITE RESIN BOARD LD UNFINISHED OVERLAY
- ONE STAIRCASE, 38" SLOPE
- RISERS: 7 1/2" OPEN TYPE TREADS: 10"x36" COGAN TREAD PLATE (NOT FOR USE IN WET ENVIRONMENTS)
- ONE MID-LANDING
- 96.00 LNR FT. OF HANDRAIL (TWO RAIL) INCLUDES ONE 6' DOUBLE SWING GATE & ONE 3'6" SINGLE SWING GATE
- 96.00 LNR FT. OF KICKPLATE

MATERIAL FINISHES:

- ALL COMPONENTS ARE GREY POWDER COAT
- EXCEPT FLOORING AND:
- HANDRAILS, KICKPLATE AND TREADS ARE GALVANIZED.
- GATES ARE SAFETY YELLOW.

IMPORTANT

- THE LOAD APPLIED ON THE FLOOR BY A POST IS 18,000 LBS. (NON-FACTORED).
- THE CAPACITY OF THE SLAB AND/OR FOUNDATION MUST BE VERIFIED BY THE CLIENT AND/OR THE OWNER.
- MEZZANINES ARE DESIGNED IN ACCORDANCE WITH THE AISC STANDARDS.
- ALL CONNECTIONS USE ASTM A325 BOLTS.

CHECK & RETURN PROMPTLY * JOB SHIP DATE SET AFTER RECEIPT OF FINAL APPROVAL *

DIMENSIONS & DESIGN SHOWN

APPROVED (NO CHANGES)

APPROVED WITH CHANGES

REVISE & RESUBMIT

NOT APPROVED

SIGN: _____

PRINT NAME: _____

BY APPROVING THESE DRAWINGS, THE CLIENT AND/OR OWNER ARE ACCEPTING THAT THESE DESIGNS MAY BE OR ARE AN ALTERNATIVE TO THE SPECS AND/OR DESIGNS PREVIOUSLY PROVIDED TO COGAN.

GENERAL NOTES
(PLEASE CHECK OFF BOXES TO CONFIRM EACH NOTE IS CORRECT)

- CAPACITY: 125 LBS./SQ.FT/ U.D.L.
- CLEAR HEIGHT: 8' 0"
- TOP OF STRUCTURE: 9' 4"
- TOP OF FLOOR: 9' 6 1/4"
- TYPE OF FLOOR: 20ga CORRUGATED STEEL DECK (WHITE UNDERSIDE) WITH 3/4" COMPOSITE RESIN BOARD LD UNFINISHED OVERLAY

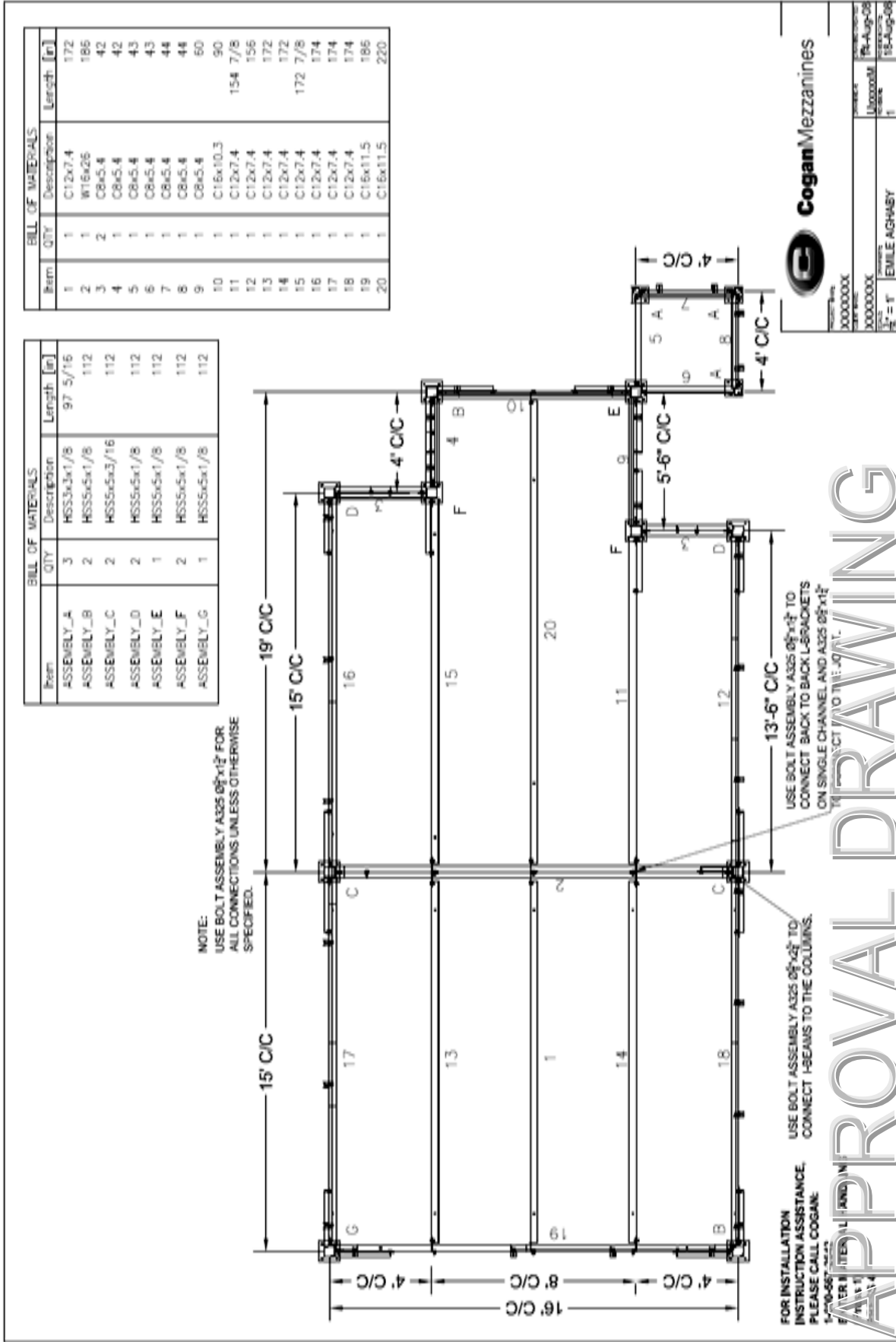
FOR INSTALLATION INSTRUCTION ASSISTANCE, PLEASE CALL COGAN:
1-800-561-1111
WWW.COCHAN.COM

APPROVAL DRAWING

CoganMezzanines

PROJECT NO: XXXXXXXX
DRAWING NO: Uxxxxxx
DATE: 14-Aug-08
SCALE: 1/4" = 1'-0"
DRAWN BY: SAMUEL LEE

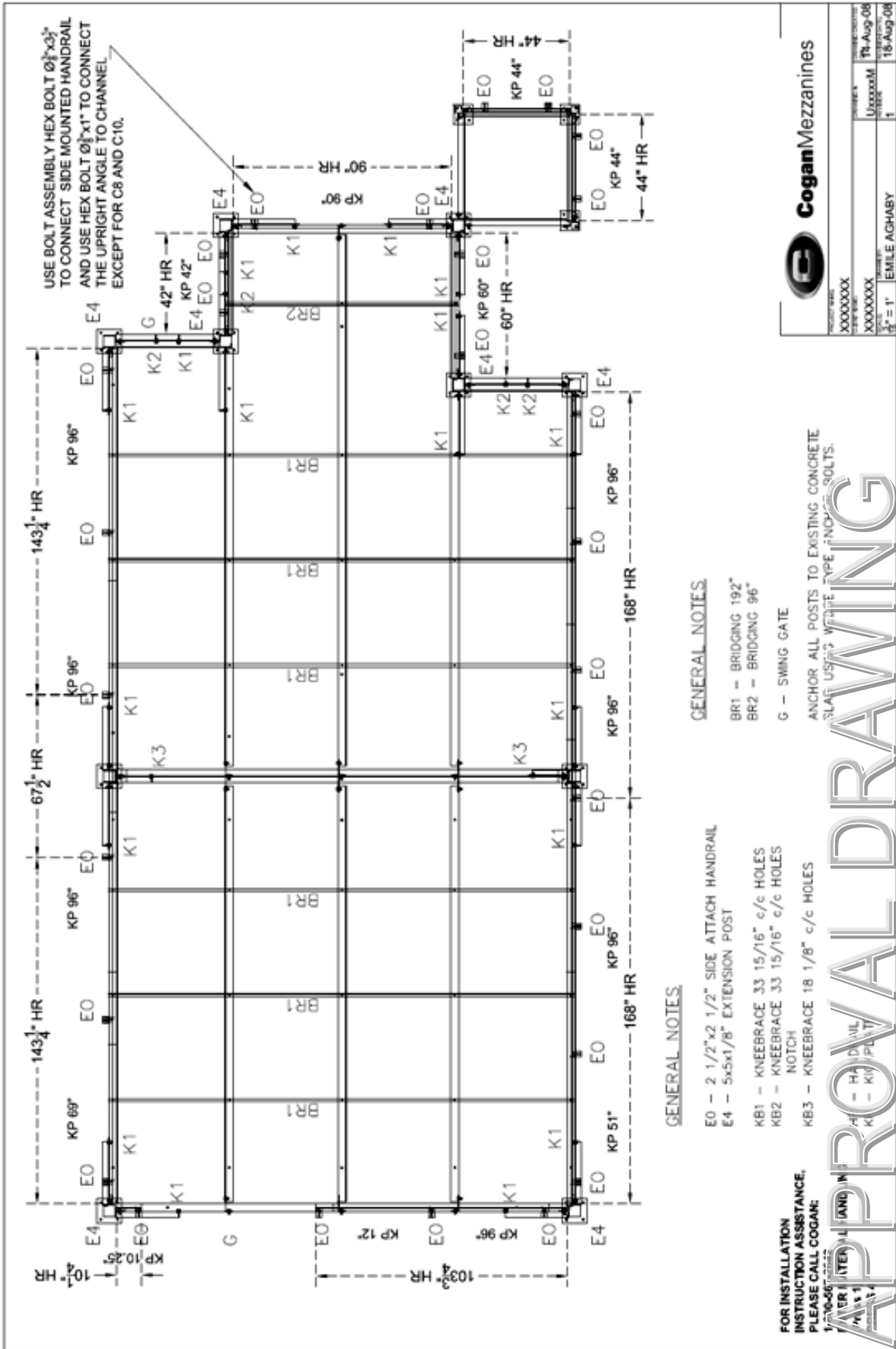
SAMPLE INSTALLATION DRAWING I



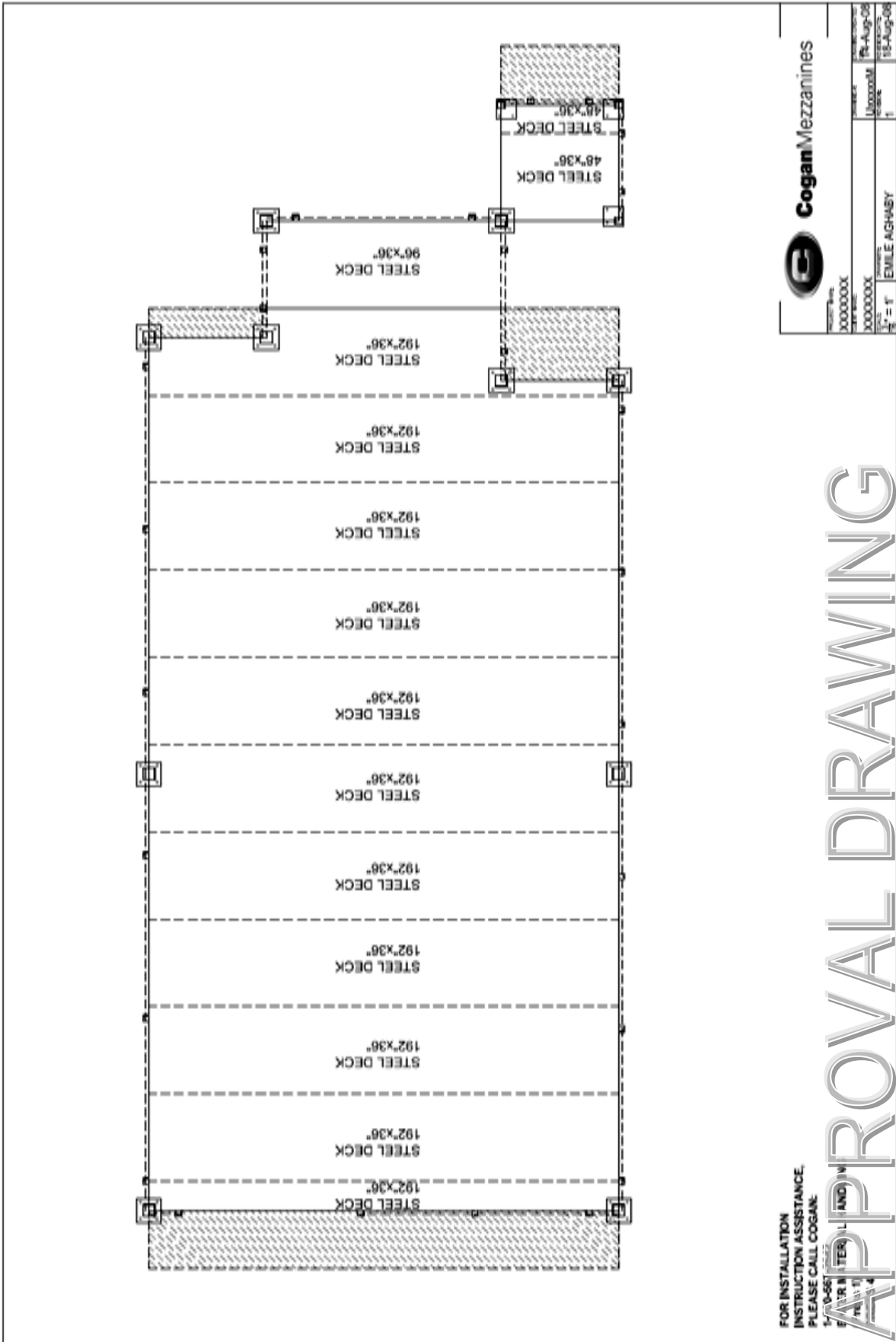
CoganMezzanines

PROJECT: XXXXXXXX
 DRAWING: XXXXXXXX
 DATE: 15-Aug-08
 DRAWN BY: EMILE ACHARY

SAMPLE INSTALLATION DRAWING 2



SAMPLE INSTALLATION DRAWING 3



FOR INSTALLATION
INSTRUCTION ASSISTANCE,
PLEASE CALL COGAN

Cogan Mezzanines

XXXXXXXXXXXXXXXXXXXX
XXXXXXXXXXXXXXXXXXXX
XXXXXXXXXXXXXXXXXXXX

1" = 1'

EMILE AGHASY

18-Aug-08
18-Aug-08

APPROVAL DRAWING

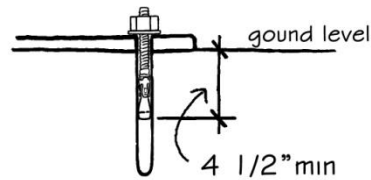
FINAL SPECIFICATIONS

Installation plan is based on specifications, dimensions, and approval of dealer and/or client. Review drawings carefully before installation.

ANCHOR BOLTS

Anchor bolts are not supplied by Cogan and are the responsibility of the installer and/or dealer. Strength of the concrete foundation must be determined before anchor selection can be made. It is the responsibility of the client, installer and/or end user to correctly size the anchor bolt for that specific mezzanine. The approval drawings show the maximum loads caused by a column and a list of forces and moments can be obtained from Cogan upon request. All base plates are fabricated with $\phi 3/4$ " holes (typically 4 anchor holes per base plate).

As a minimum, Cogan recommends using $\phi 5/8$ " x 6" wedge-type anchor bolts with a 4 1/2" embedment.

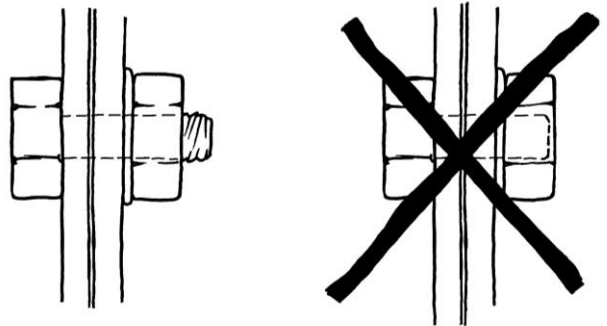


BOLT TIGHTENING

Bolts must be installed in properly aligned holes. Initially, they need only be tightened to the snug tight condition. The snug tight condition is defined as the tightness that exists when all plies in a joint are in firm contact. This may be obtained by the full effort of a man using an ordinary spud wrench.

To ensure that the correct length of bolt has been used, verify that the entire thread of the nut is engaged with the bolt. If bolt does not exceed past the face of the nut, recheck installation details for type of hardware required.

Subsequently, the bolts should be tightened, but not exceed, an additional 1/3 turn past the snug tight condition. This ensures correct bolt tensioning.





Cogan will not guarantee any products modified without the consent from a product engineer employed by Cogan.

READY, SET, INSTALL !



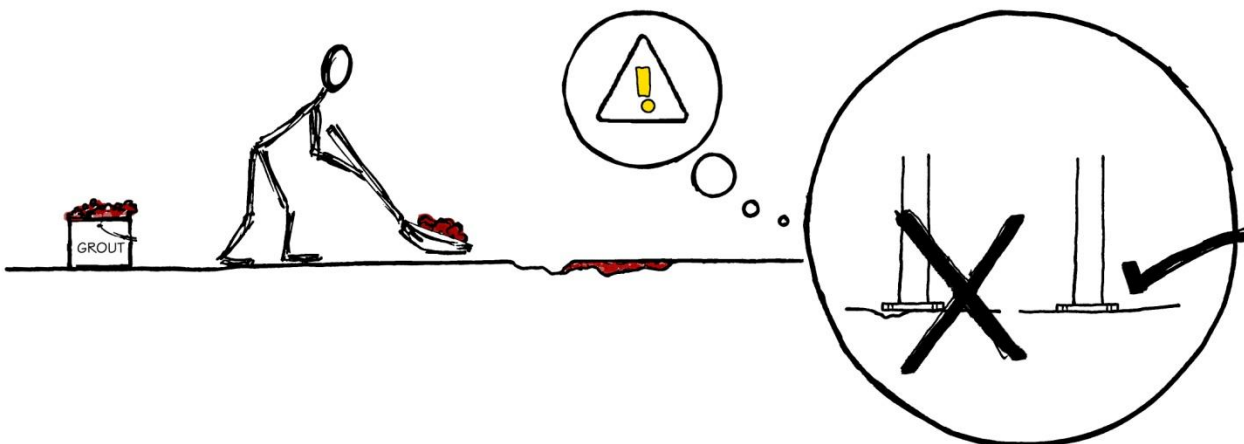
Make sure the installation site is cleaned of all debris to ensure an adequate access for the installer. The client or owner shall advise the installation company of any embedded floor obstacles that may interfere with the floor anchors.



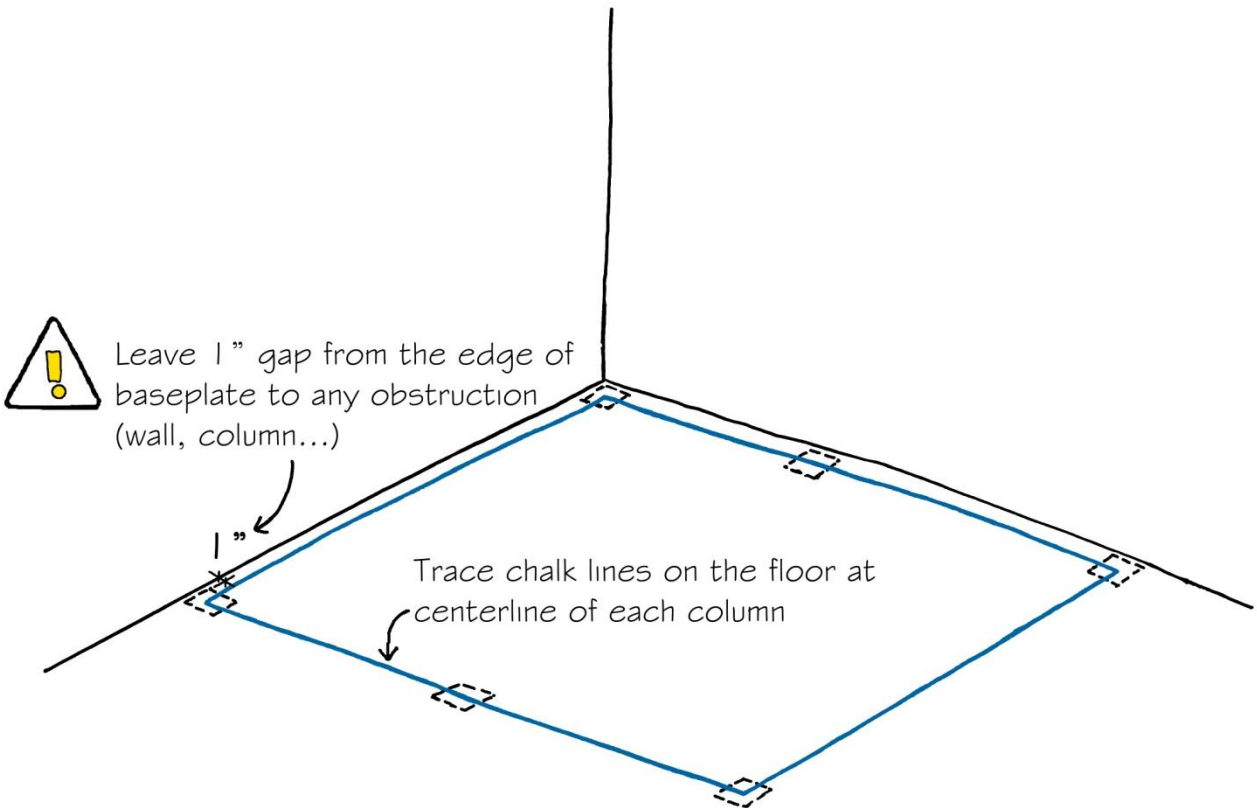
Carefully inspect all the installation site. The mezzanine contractor's technician shall inspect the job site prior to the preparation of approval drawings.



The area where the mezzanine is installed shall have a concrete slab, troweled smooth and level. **The entire surface of a baseplate shall be in contact with the slab** to ensure an even transfer of column loads and minimize sway. The concrete where mezzanine column placement occurs shall be capable to withstand the loads specified by the mezzanine manufacturer. **When a mezzanine is used as an office space, it is mandatory to grout under each column baseplate.**



Review carefully all your installation drawings. Erection of the mezzanine and accessories shall be in accordance with the specification and instructions contained in this manual and installation drawings. Any Cogan product requiring modification during installation (on site) should be approved by a Cogan product engineer.



ONCE YOU HAVE DRAWN YOUR MEZZANINE PERIMETER, YOU MAY START INSTALLING